

IMPORTANT INFORMATION

iMod Solo



Disconnect electricity supply before installation.

To be installed by qualified personnel only.

When installing, Hacer recommends wearing disposable gloves to avoid fingerprinting to the paint work of the luminaire.

Read leaflet fully before installation.

Hacer
L I G H T I N G

THE SILVERLINK
WALLSEND
NEWCASTLE UPON TYNE
TYNE & WEAR
NE28 9ND

TECHNICAL: (0191) **280 9914**

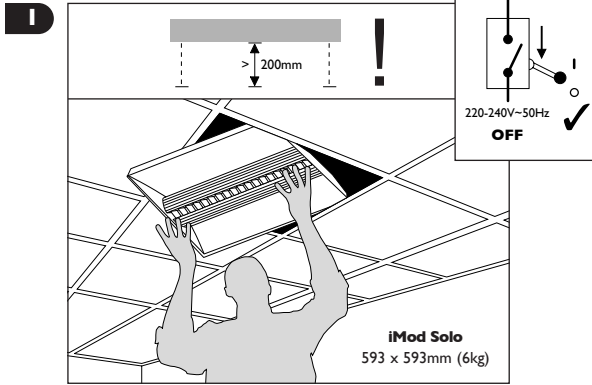
FAX: (0191) **263 0946**

E-MAIL: technical@hacer.co.uk

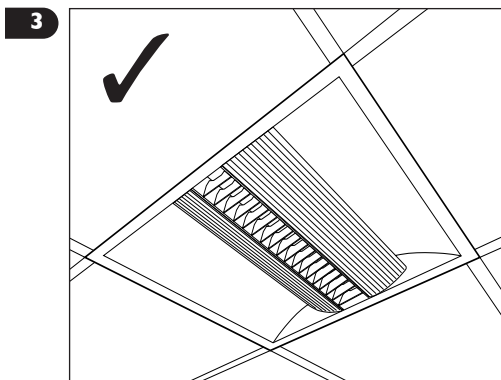
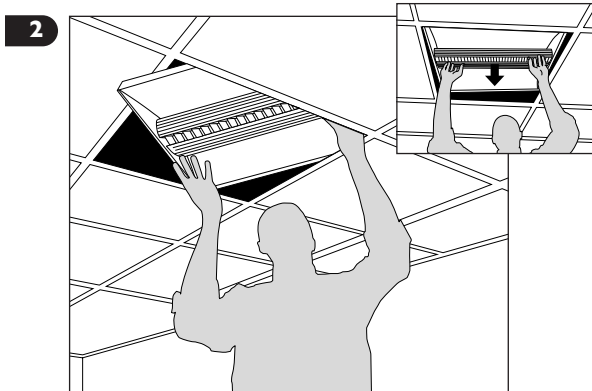
WEB: www.hacer.co.uk

79_0096 06/2010

Installation

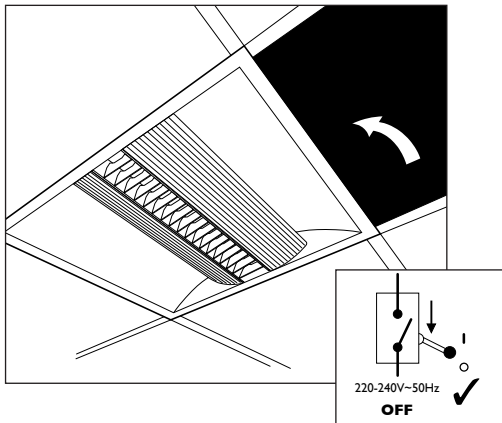


N.B. - Wearing latex gloves will prevent marking

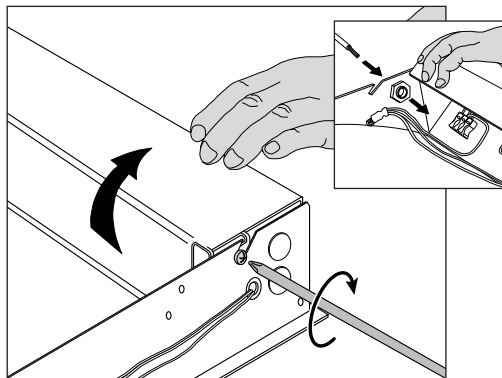


Wiring preparation

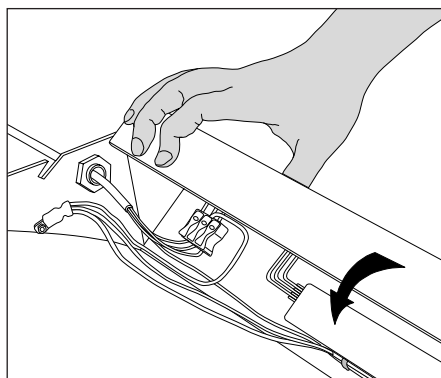
1



2

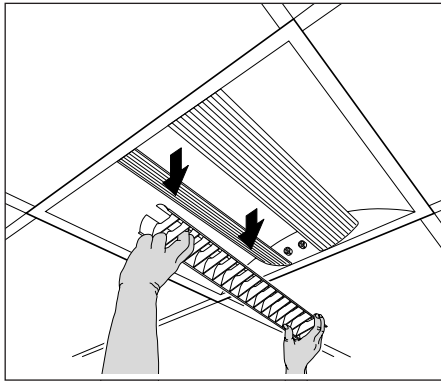


3

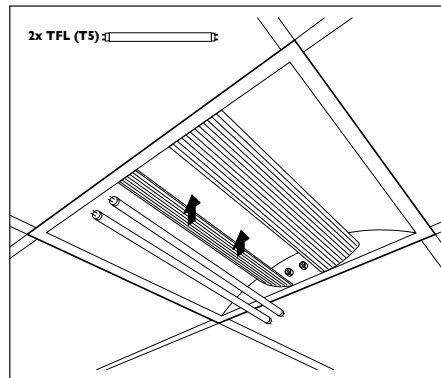


TFL Lamp installation

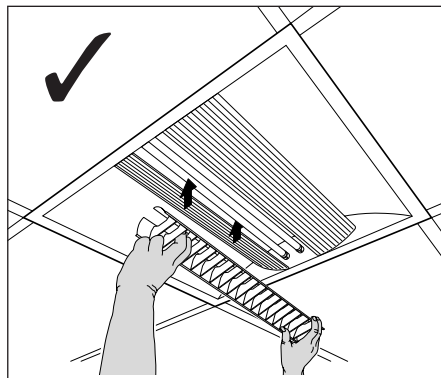
1



2

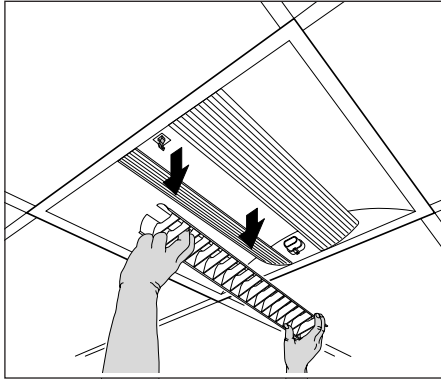


3

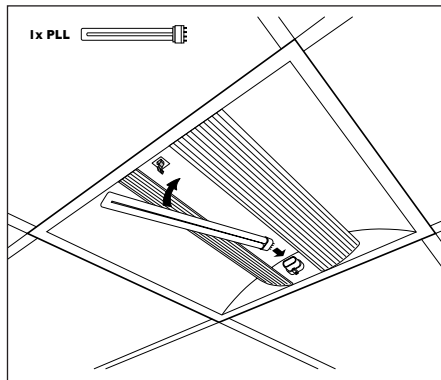


PLL Lamp installation

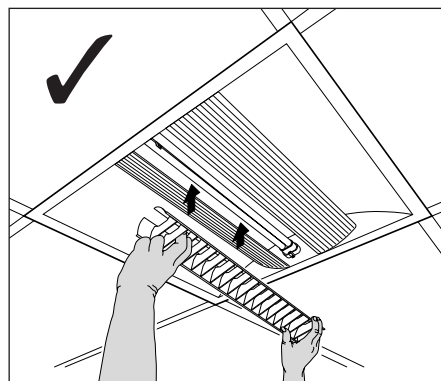
1



2

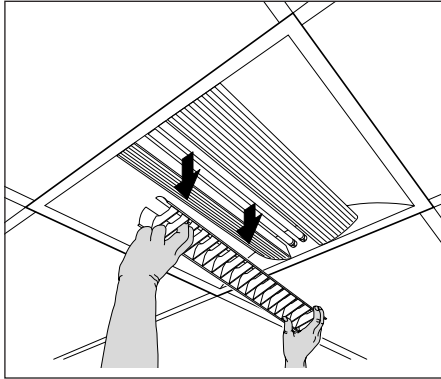


3

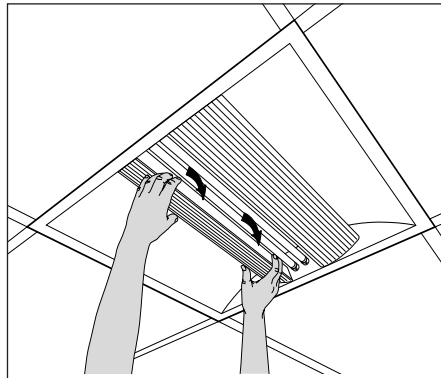


Cleaning refractors/louvres

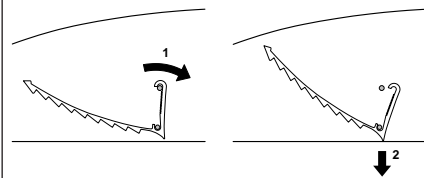
1



2



3



N.B. - Clean refractors/louvres with damp lint free cloth