

## IMPORTANT INFORMATION

# Wallwasher Long

IM935



**Disconnect electricity supply before installation.**

To be installed by qualified personnel only.

When installing, Hacer recommends wearing disposable gloves to avoid fingerprinting to the paint work of the luminaire.

Read leaflet fully before installation.

# Hacer

L I G H T I N G

THE SILVERLINK, WALLSEND, NEWCASTLE UPON TYNE,  
TYNE & WEAR, NE28 9ND

TECHNICAL: (0191) **280 9914**

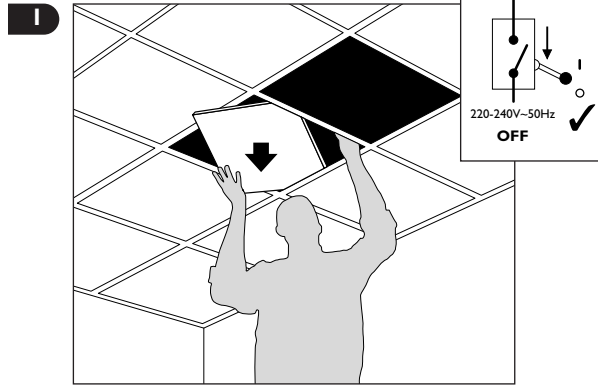
FAX: (0191) **263 0946**

E-MAIL: [technical@hacer.co.uk](mailto:technical@hacer.co.uk)

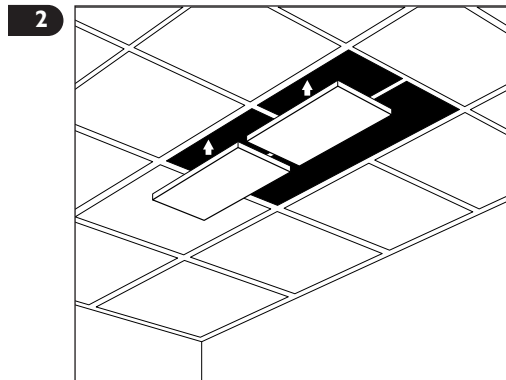
WEB: [www.hacer.co.uk](http://www.hacer.co.uk)

07/2011 79\_0106

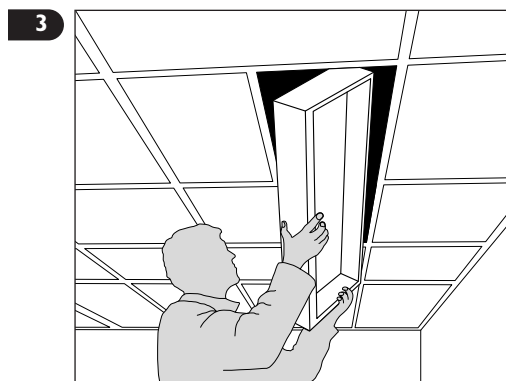
## Installation



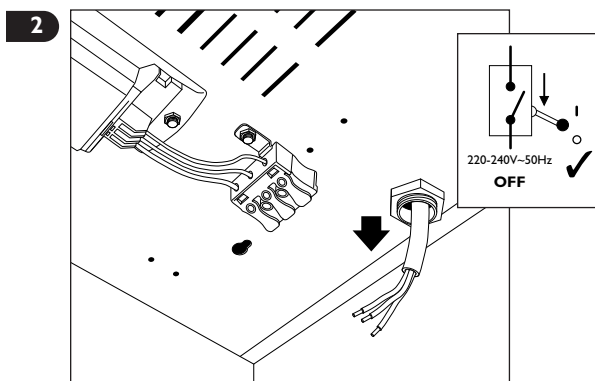
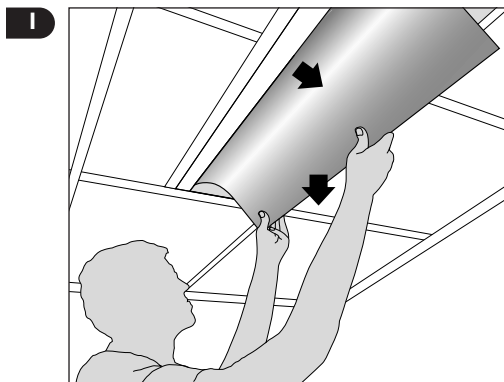
*N.B. - Wearing latex gloves will prevent marking*



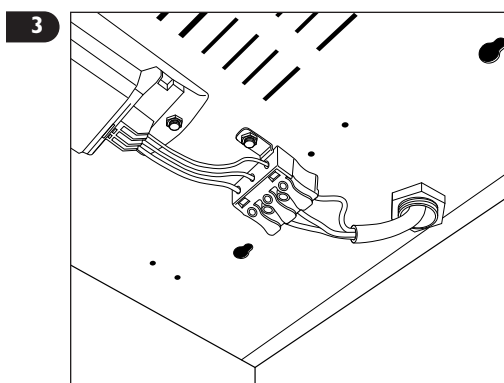
*N.B. - Cut tiles and insert T bar to make  
1200 x 300mm aperture*



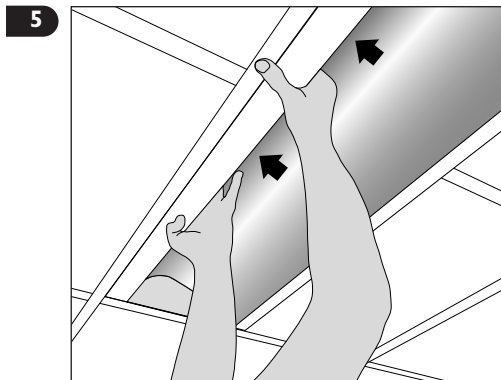
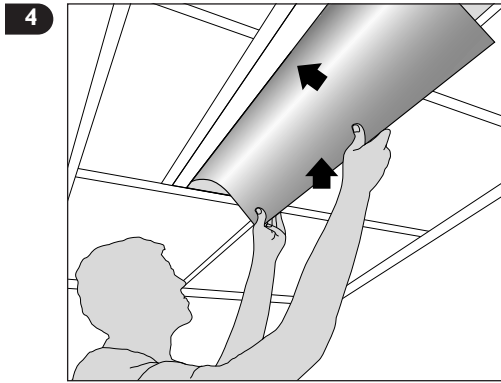
## Wiring preparation



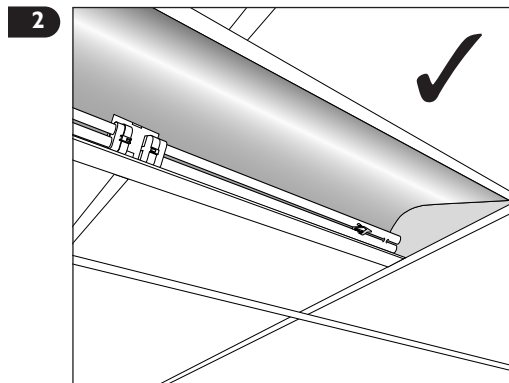
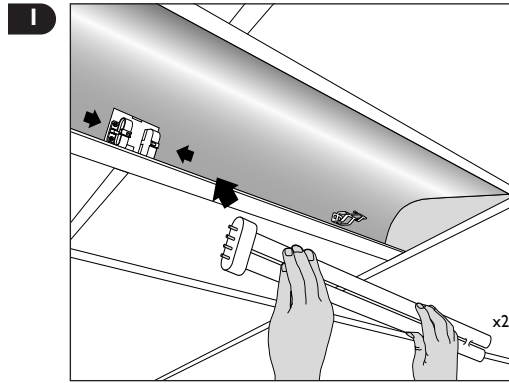
*N.B. - Cable glands not supplied*



## Wiring preparation

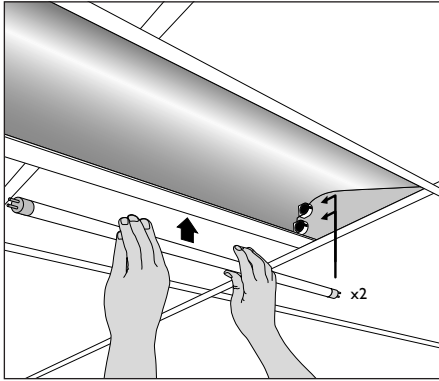


## PLL Lamp installation



## TFL Lamp installation

1



2

