

IMPORTANT INFORMATION

Wallwasher Short

IM936



Disconnect electricity supply before installation.

To be installed by qualified personnel only.

When installing, Hacel recommends wearing disposable gloves to avoid fingerprinting to the paint work of the luminaire.

Read leaflet fully before installation.

Hacel

L I G H T I N G

THE SILVERLINK, WALLSEND, NEWCASTLE UPON TYNE,
TYNE & WEAR, NE28 9ND

TECHNICAL: (0191) **280 9914**

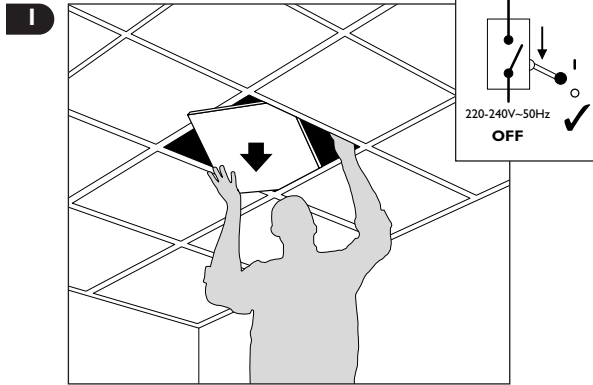
FAX: (0191) **263 0946**

E-MAIL: technical@hacel.co.uk

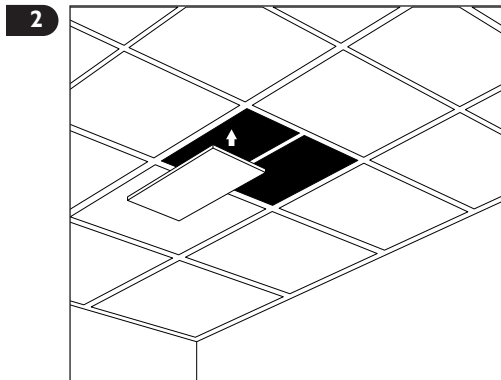
WEB: www.hacel.co.uk

07/2011 79_0104

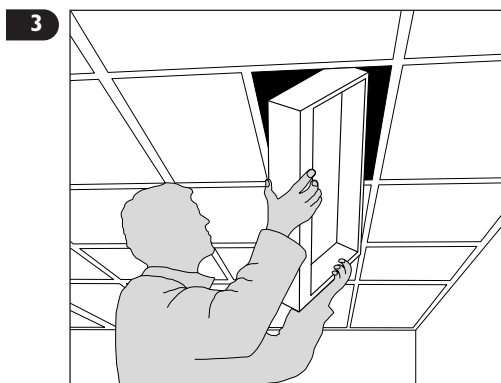
Installation



N.B. - Wearing latex gloves will prevent marking

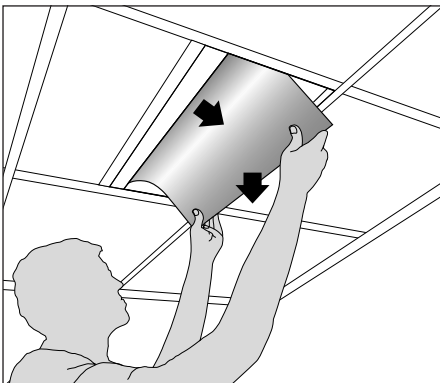


*N.B. - Cut tile and insert T bar to make
600 x 300mm aperture*

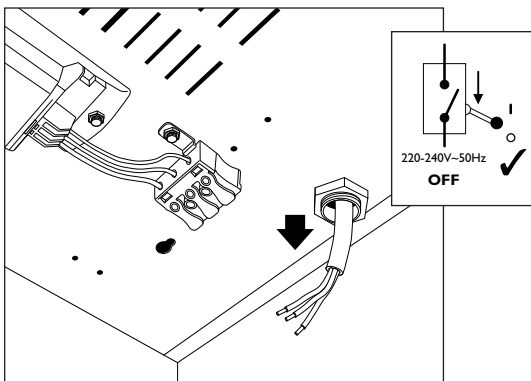


Wiring preparation

1

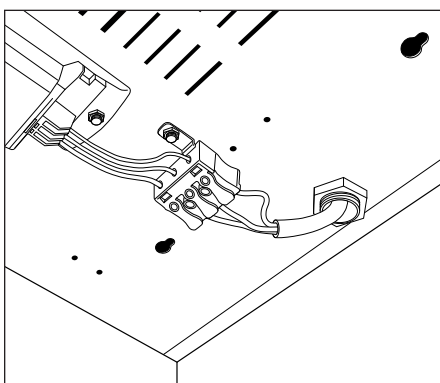


2



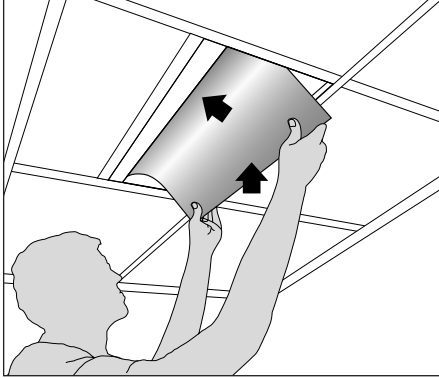
N.B. - Cable glands not supplied

3

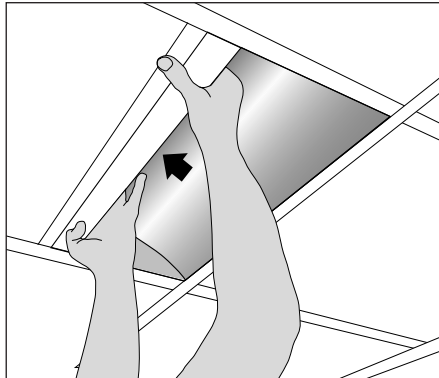


Wiring preparation

4

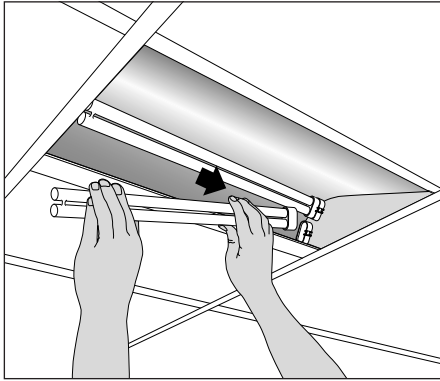


5

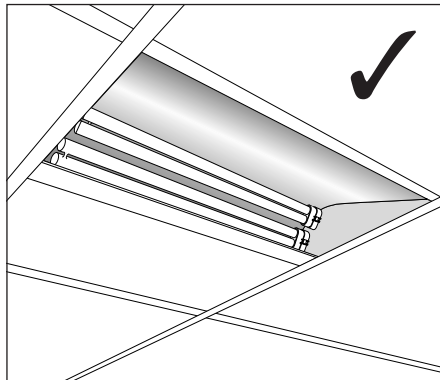


PLL Lamp installation

1

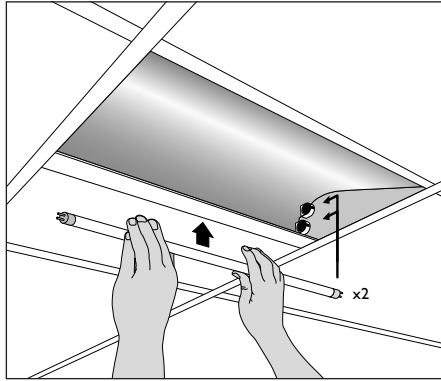


2



TFL Lamp installation

1



2

