

## IMPORTANT INFORMATION

# Aspen Range

**PN937**  
**PN938**  
**PN939**



**To be installed by qualified personnel only**

# Hacel

L I G H T I N G

THE SILVERLINK  
WALLSEND  
NEWCASTLE UPON TYNE  
TYNE & WEAR  
NE28 9ND  
UK

TECHNICAL: (0191) **280 9914**

FAX: (0191) **263 0946**

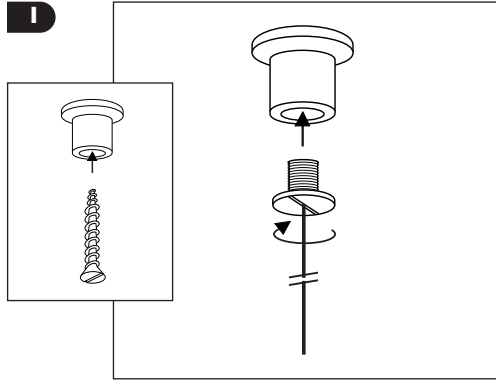
E-MAIL: [technical@hacel.co.uk](mailto:technical@hacel.co.uk)

WEB: [www.hacel.co.uk](http://www.hacel.co.uk)

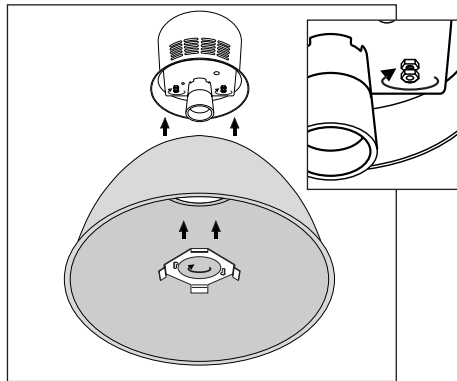
79\_0081

## Installation

1

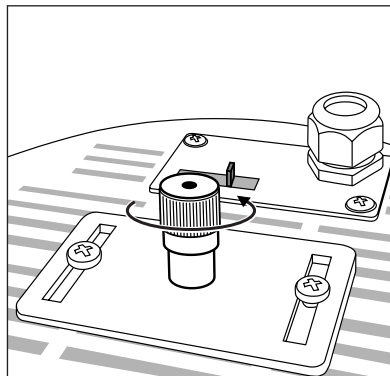


2

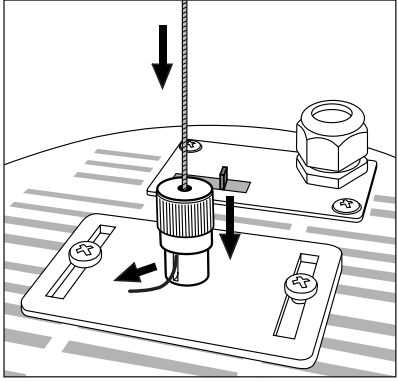


Aspen Prismatic only !

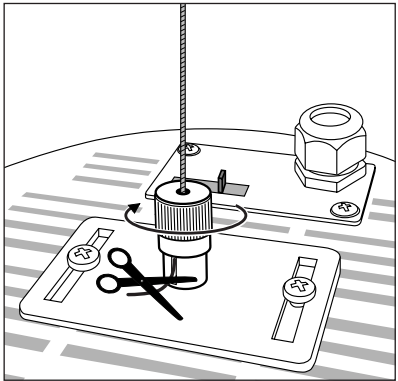
3



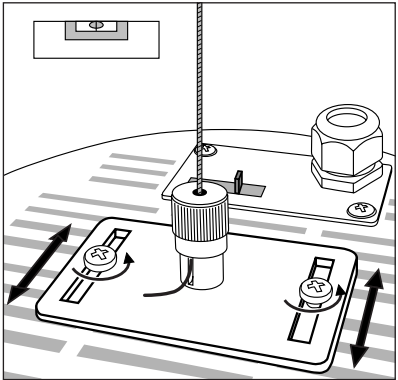
4



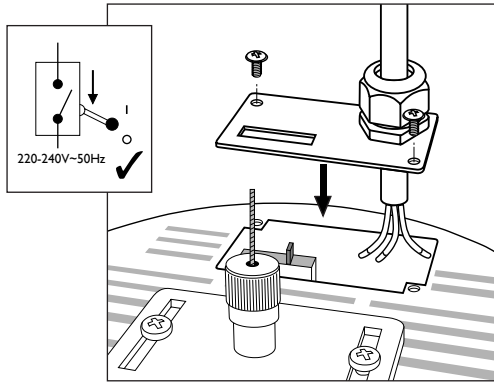
5



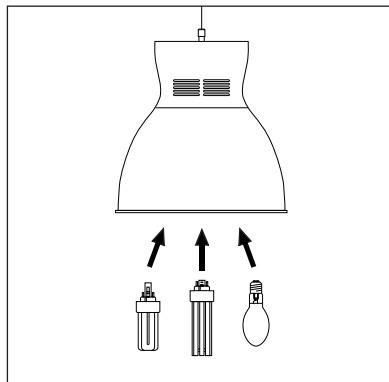
6



### Wiring preparation

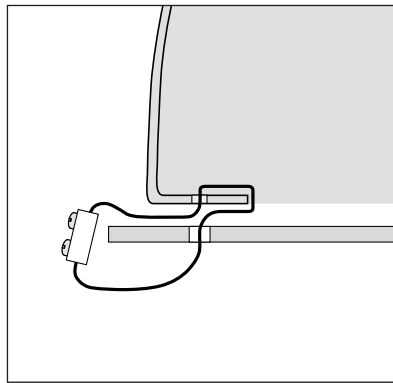
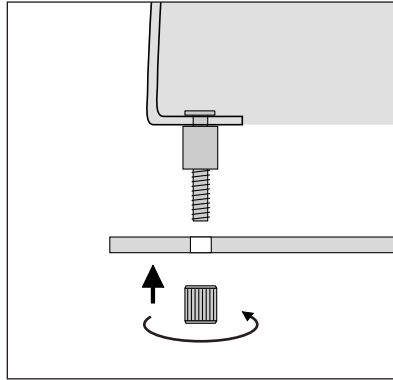


### Lamp installation



**Safety Glass**

**PN937 & PN939**



**Safety Glass**

**PN938**

