



Aspen 937

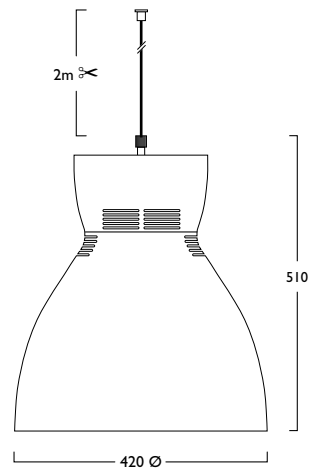
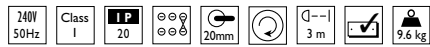


Metal Halide

70w	MHE	E27	PN937	B	MHE070	-	+	160
150w	MHE	E27	PN937	B	MHE150	-	+	160
250w	MHE	E40	PN937	B	MHE250	-	+	161

Fluorescent

120w	PLH	2G8	PN937	D	PLH120	-	+	170
------	-----	-----	-------	---	--------	---	---	-----



□■	Wire wound
B	Wire wound
D	High frequency
☺	1 - White 3 - Black 6 - Graphite
+	Wire guard
306	Wire guard
307	5m Suspension (wire only)
Glass	
378	Safety clear (PLH)

Current and Power Ratings

MHE Lamp	Current (A)	Power (W)
1x 70W	0.43	81.5
1x 150W	0.80	168.5
1x 250W	1.35	285.5

PLH Lamp	Current (A)	Power (W)
1x 120W	0.60	133.0

Recommended Lamps

Type	Osram	Philips
MHE070	H70EN	---
MHE150	H15EN	---
MHE250	H250EN	181145

Type	3000K	4000K
PLH120	264039	264053

Product Codes Explained



Symbols

	12V
	Voltage & frequency
	Class I / II / III
	Ingress protection
	Suitable for flammable surface
	Plug & socket connections
	Unfused terminal block
	Fused terminal block
	Integral fuse
	Knockout size
	Tilt
	Rotation / pan
	Cut out
	Fixing centres
	Uplighting / Downlighting
	Uplighting / Downlighting
	Pressed metal construction
	Extruded aluminium construction
	Spun construction
	Die cast construction
	Injection moulding
	Minimum distance from lamp
	Decorative glass feature
	Safety glass
	Foot switch
	Supplied complete with plug
	Maximum weight kg
	Operating temperature of fascia
	Tamper proof screws
	Maximum evenly distributed load kg