

IMPORTANT INFORMATION

Aspen Range

PN937
PN938
PN939



To be installed by qualified personnel only

Hacel

L I G H T I N G

THE SILVERLINK
WALLSEND
NEWCASTLE UPON TYNE
TYNE & WEAR
NE28 9ND
UK

TECHNICAL: (0191) **280 9914**

FAX: (0191) **263 0946**

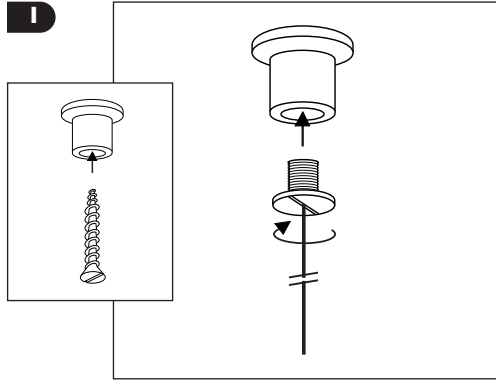
E-MAIL: technical@hacel.co.uk

WEB: www.hacel.co.uk

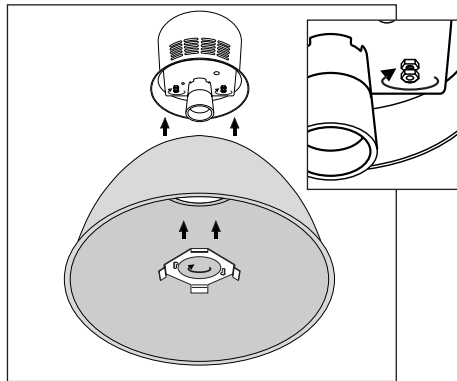
79_0081

Installation

1

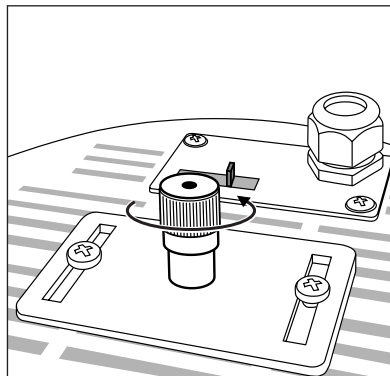


2

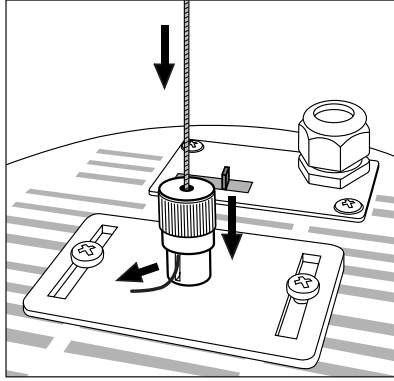


Aspen Prismatic only !

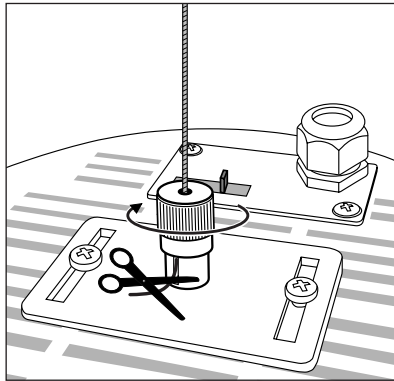
3



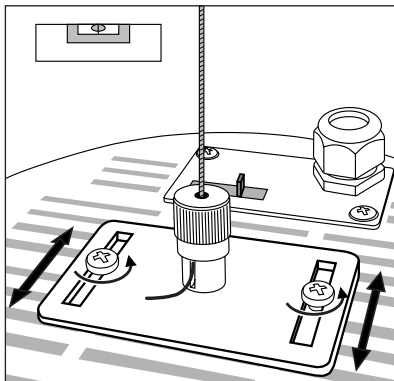
4



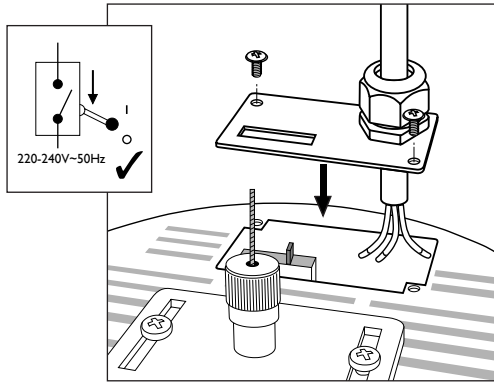
5



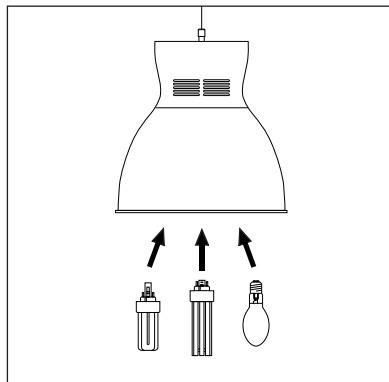
6



Wiring preparation

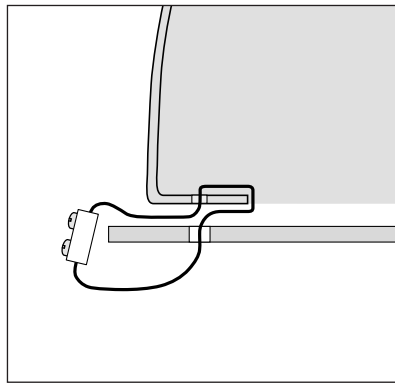
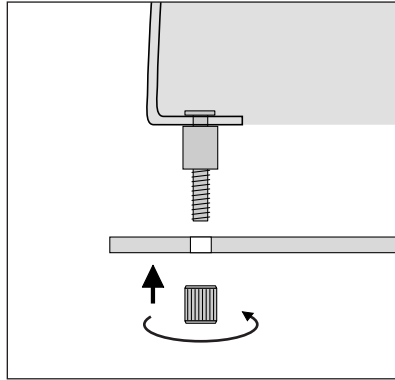


Lamp installation



Safety Glass

PN937 & PN939



Safety Glass

PN938

