

IMPORTANT INFORMATION

Network



Hacel
L I G H T I N G

THE SILVERLINK
WALLSEND
NEWCASTLE UPON TYNE
TYNE & WEAR
NE28 9ND
UK

TECHNICAL: (0191) **280 9914**

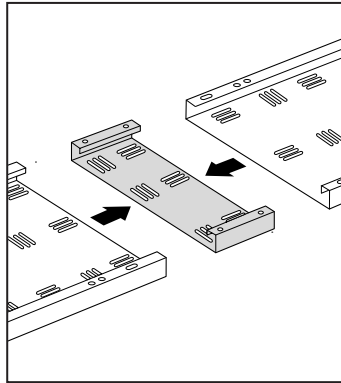
FAX: (0191) **263 0946**

E-MAIL: technical@hacel.co.uk

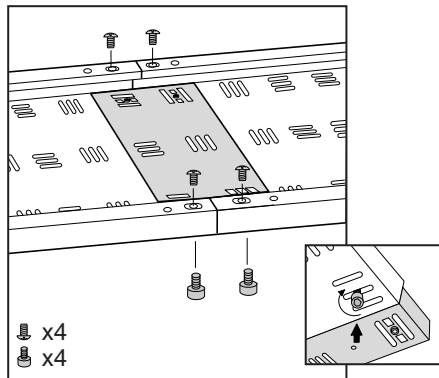
WEB: www.hacel.co.uk

Coupler Module

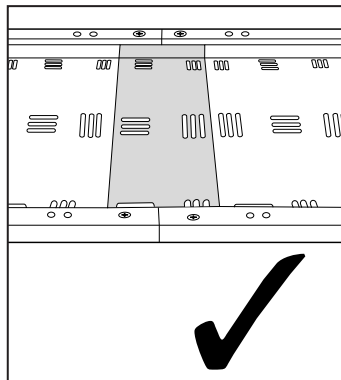
1



2

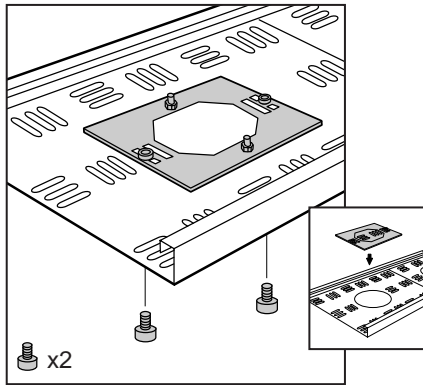


3

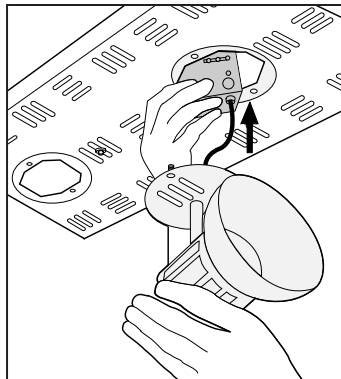


Power Spot Assembly

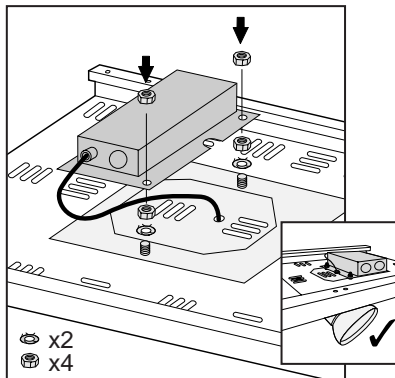
1



2

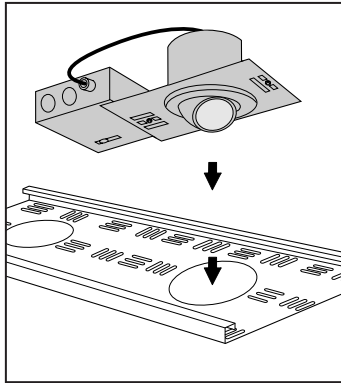


3

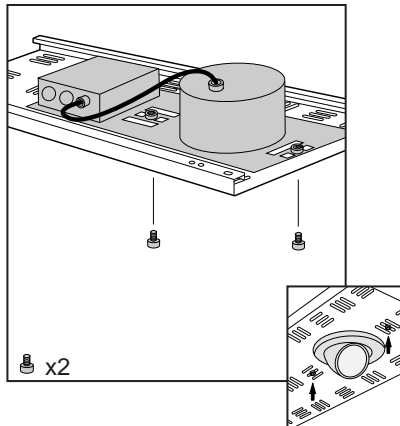


Downlighter Assembly

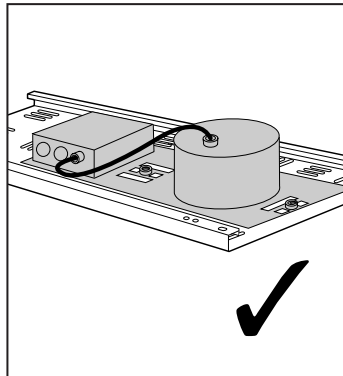
1



2

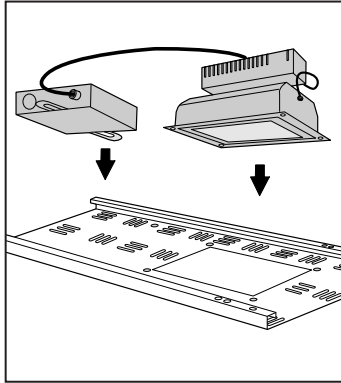


3

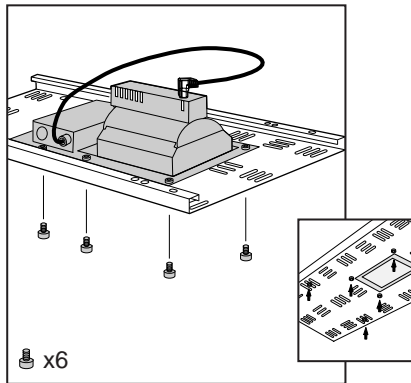


Luminaire Module Assembly

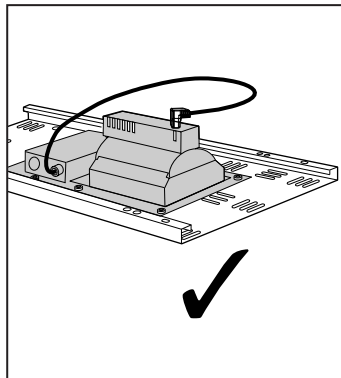
1



2

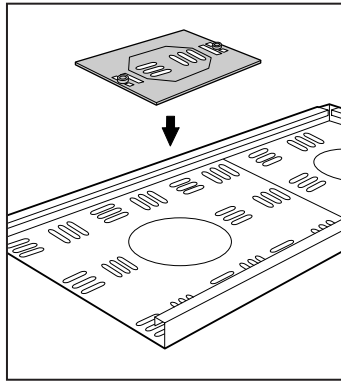


3

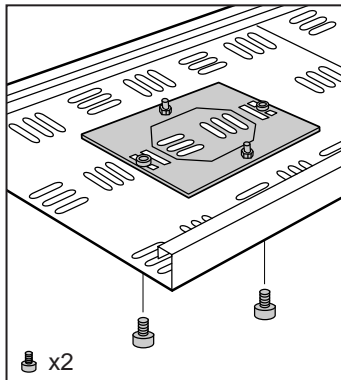


Blanking Port Assembly

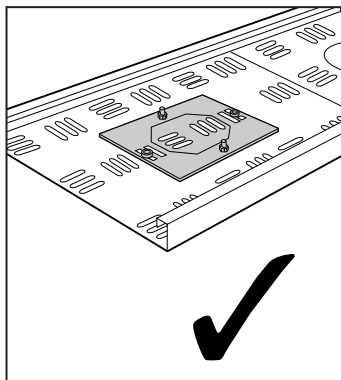
1



2

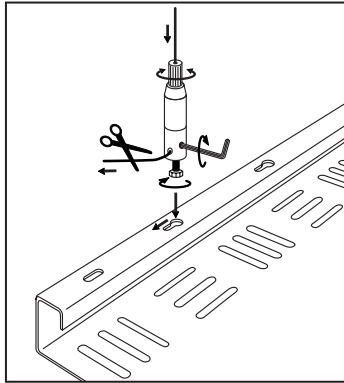


3

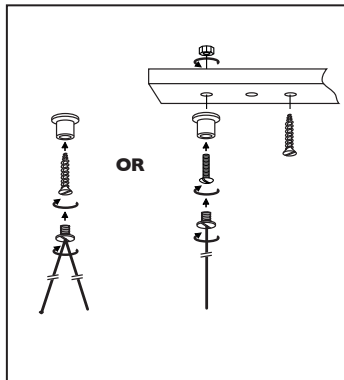


Suspension Kit Assembly

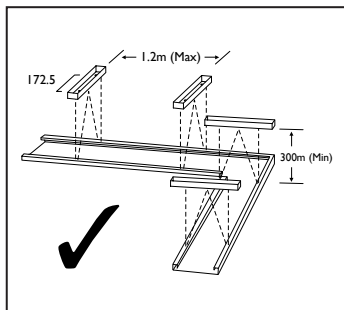
1



2

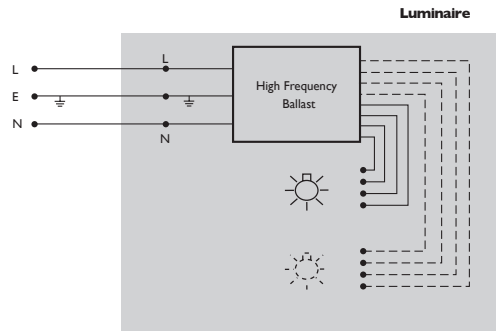


Suspension Kit Spacing

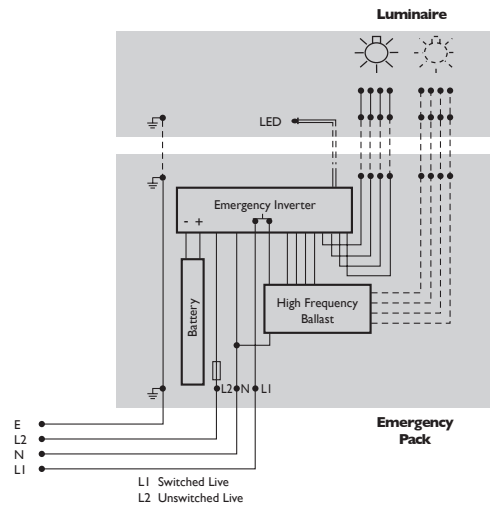


Wiring Diagrams

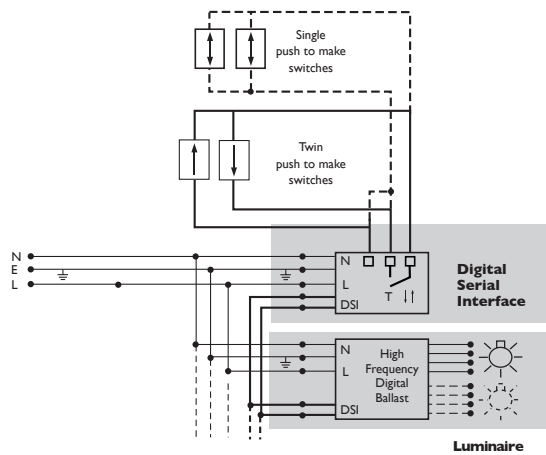
D



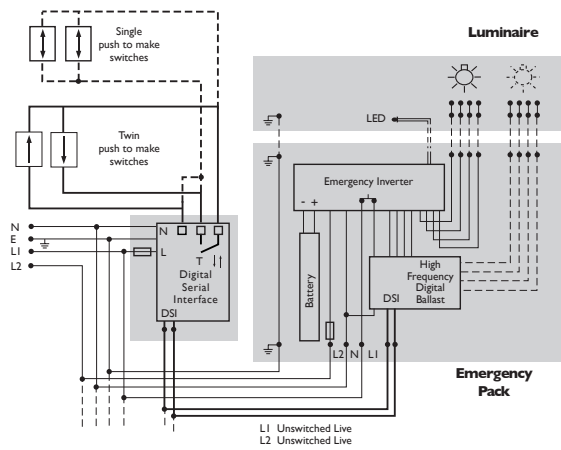
E



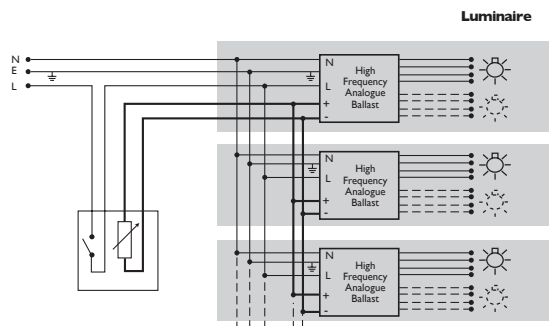
F



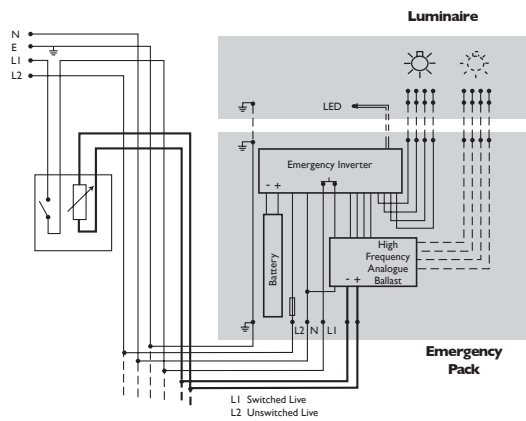
G



H

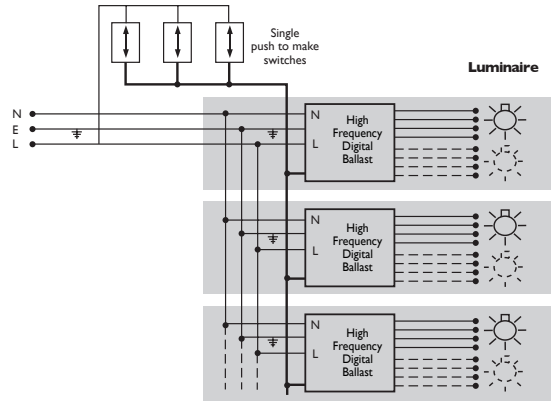


I

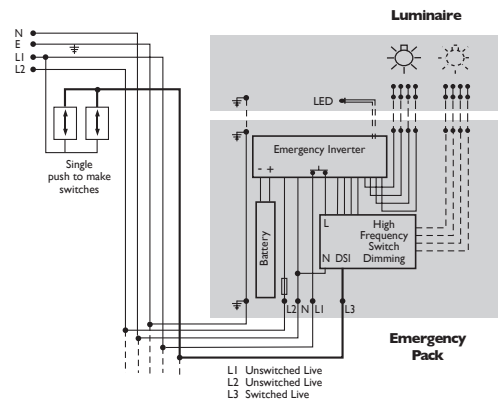


Wiring Diagrams Continued

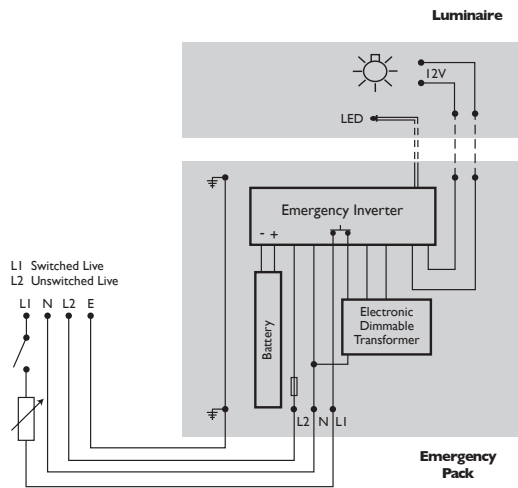
J



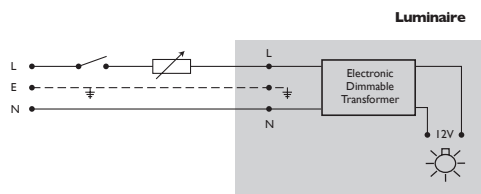
K



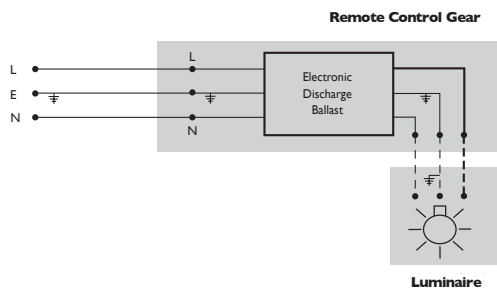
N



M



Q



TECHNICAL (0191) 280 9914