

IMPORTANT INFORMATION

Evolve Tilt

ID880



To be installed by qualified personnel only

Hacel
L I G H T I N G

THE SILVERLINK
WALLSEND
NEWCASTLE UPON TYNE
TYNE & WEAR
NE28 9ND
UK

TECHNICAL: (0191) **280 9914**

FAX: (0191) **263 0946**

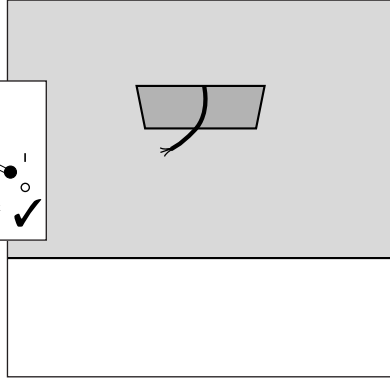
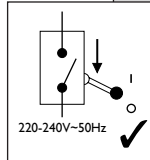
E-MAIL: technical@hacel.co.uk

WEB: www.hacel.co.uk

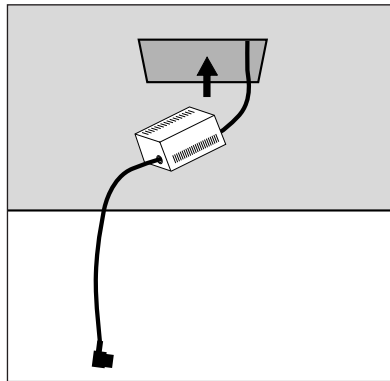
79_0085

Installation

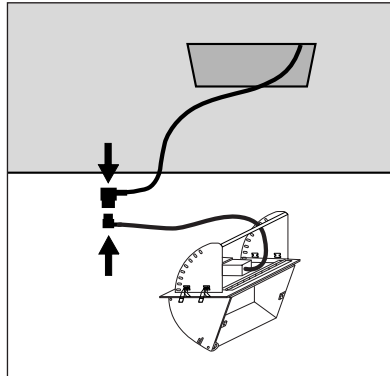
1



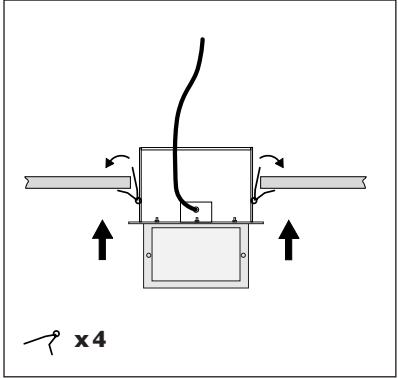
2



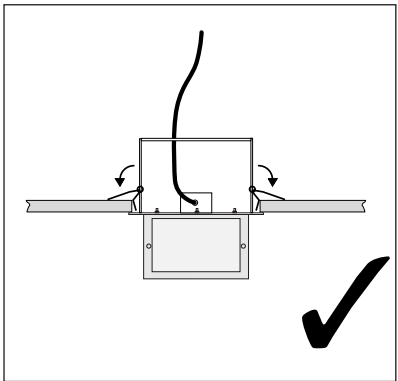
3



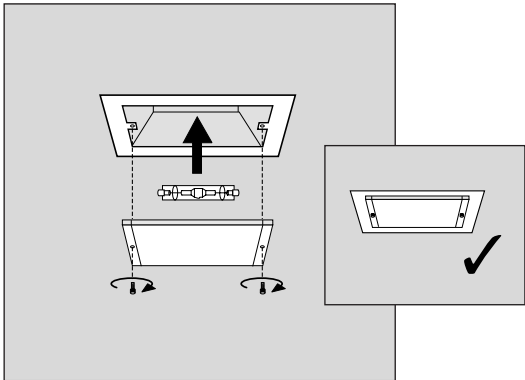
4



5

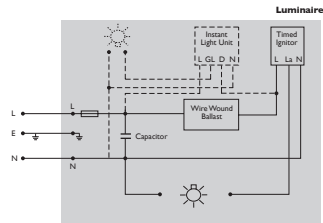


6

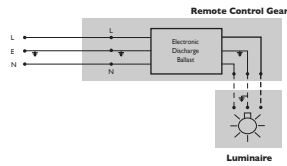


Wiring diagrams

■ Wire wound (B)

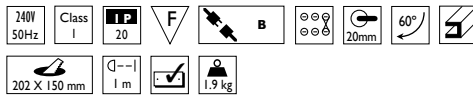


■ Electronic discharge ballast (Q)

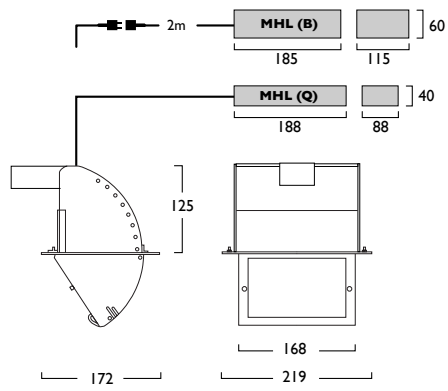


Technical information

Evolve Tilt



MHL



TECHNICAL: (0191) **280 9914** FAX:: (0191) **263 0946**
E-MAIL: technical@hacel.co.uk WEB: www.hacel.co.uk