

IMPORTANT INFORMATION

Solara Range

ID570, ID572, ID573, ID635, ID661
ID724, ID867, ID868, ID882



Disconnect electricity supply before installation.

To be installed by qualified personnel only.

When installing, Hacer recommends wearing disposable gloves to avoid fingerprinting to the paint work of the luminaire.

Read leaflet fully before installation.

Hacer

L I G H T I N G

THE SILVERLINK
WALLSEND
NEWCASTLE UPON TYNE
TYNE & WEAR
NE28 9ND

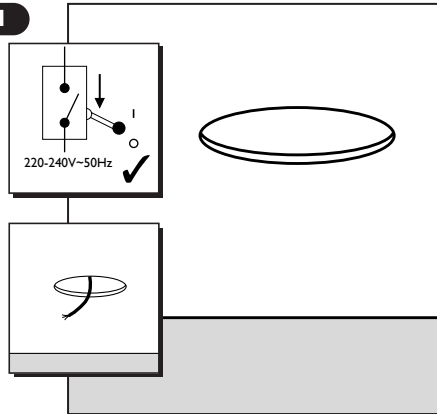
TECHNICAL: (0191) **280 9914** FAX:: (0191) **263 0946**

E-MAIL: technical@hacer.co.uk WEB: www.hacer.co.uk

79_0049

Preparation

1



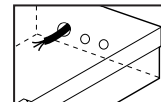
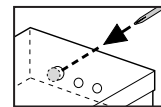
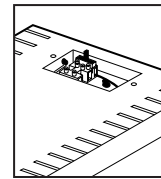
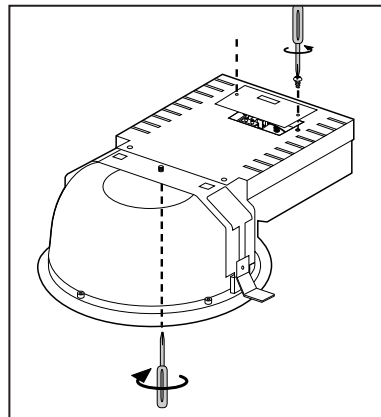
100 mm Ø
ID661

130 mm Ø
ID573

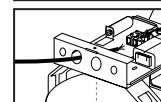
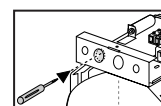
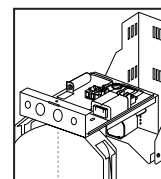
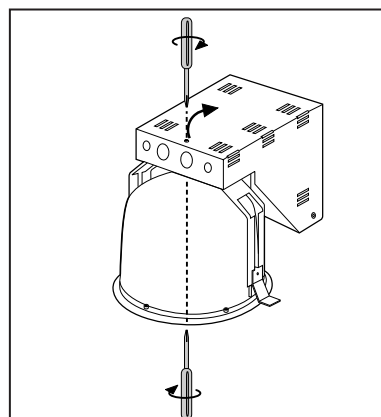
210 mm Ø
ID570
ID572
ID724
ID867
ID882

270 mm Ø
ID635
ID868

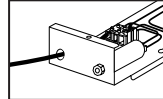
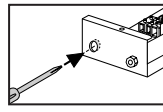
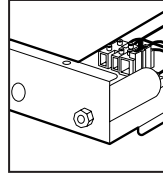
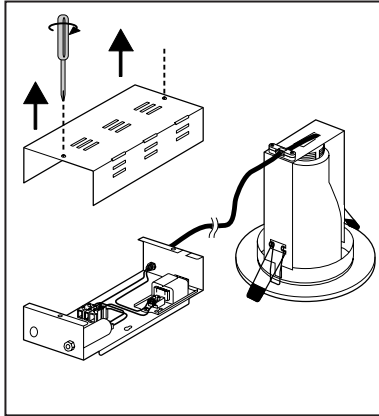
2



2

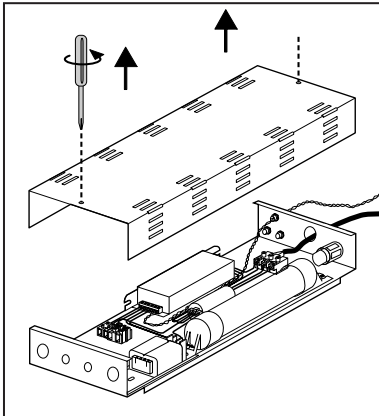


2



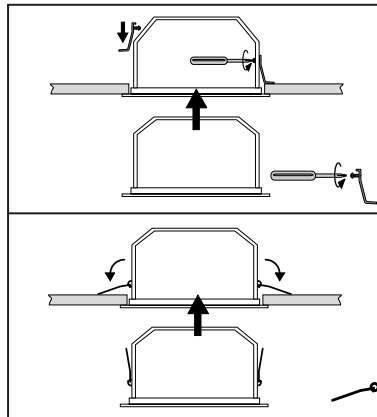
2

CEGIK

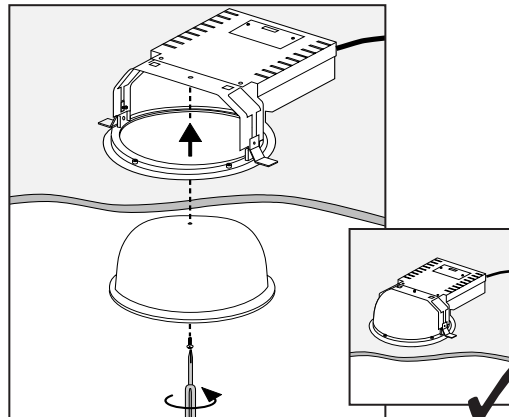


Installing the luminaire

1

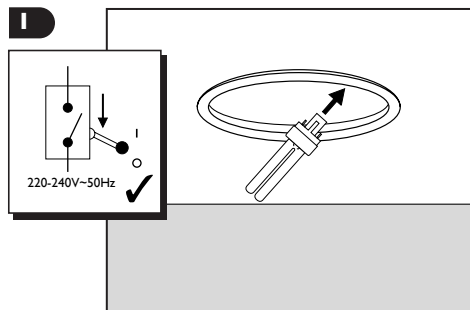


2



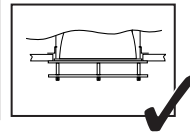
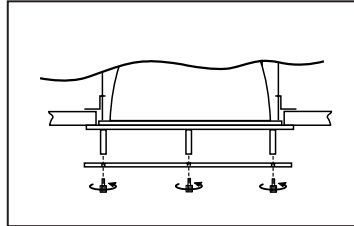
Lamp installation

1

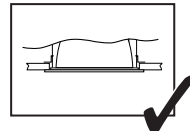
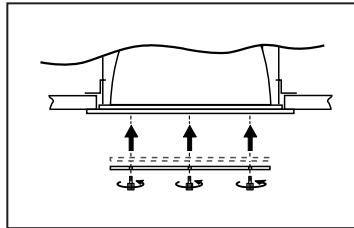


Attaching glass options

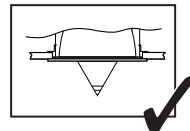
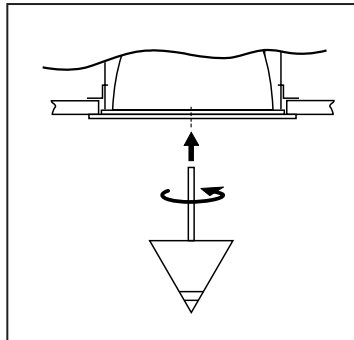
+
 013
 014 066
 015 067
 016 068
 017 071
 018 072
 050 073
 051 074
 052 075



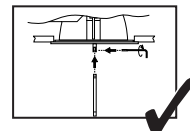
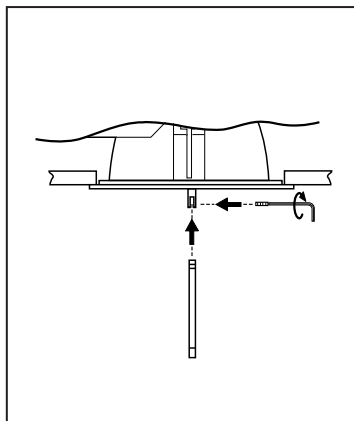
+
 005
 006 044
 007 048
 008 049
 009 069
 010 070
 011 145
 012 146



+
 019 053
 020 054
 021 055



+
 028
 029 039
 030 040
 031 041
 032 042
 033 043
 034 044
 035 061
 036 062
 037 063
 038 064



Attaching reflector options

+
024 058
025 059
027 060

