



Theta Solo

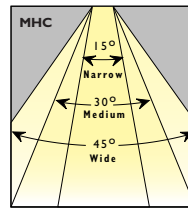
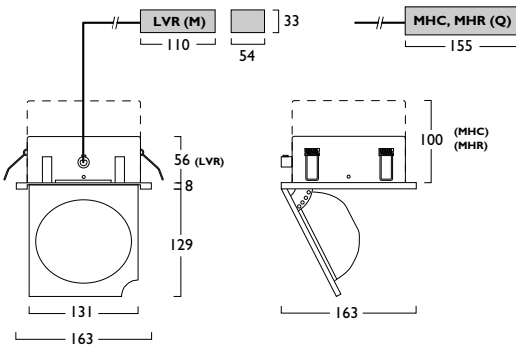
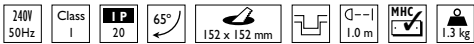


LV Halogen

100w	LVR	G53	AR928	M	LVR100	-
------	-----	-----	-------	---	--------	---

Metal Halide

35w	MHR	GX8.5	AR928	Q	MHR035	-	
70w	MHR	GX8.5	AR928	Q	MHR070	-	
20w	MHC	G8.5	AR928	Q	MHC020	-	+ 153
35w	MHC	G8.5	AR928	Q	MHC035	-	+ 153
70w	MHC	G8.5	AR928	Q	MHC070	-	+ 153



Medium beam supplied as standard



268 Anti glare baffle

□	Electronic dimmable transformer	
M	Electronic dimmable ballast	
Q	Electronic discharge ballast	
1	White	
3	Black	
6	Graphite	
+	Reflector	
283	Narrow beam (MHC)	152
284	Wide beam (MHC)	154
268	Anti glare baffle (MHC)	

Current and Power Ratings

LVR	M	
Lamp	Current (A)	Power (W)
1x 50W	0.22	55.0

MHR	Q	
Lamp	Current (A)	Power (W)
1x 35W	0.22	44.5
1x 70W	0.36	79.0

MHC	Q	
Lamp	Current (A)	Power (W)
1x 35W	0.10	23.8
1x 35W	0.22	44.5
1x 70W	0.36	79.0

Recommended Lamps

LVR	Osram	Philips
LVR050	M161	426550

MHR	Osram	Philips
MHR035	---	204523
MHR070	---	207234

MHC	Osram	Philips
MHC020	PB20TCW	---
MHC035	PB35TCW	202277
MHC070	PB70TCW	201676

Product Codes Explained



Symbols

	12V
	Voltage & frequency
	Class I / II / III
	Ingress protection
	Suitable for flammable surface
	Plug & socket connections
	Unfused terminal block
	Fused terminal block
	Integral fuse
	Knockout size
	Tilt
	Rotation / pan
	Cut out
	Fixing centres
	Uplighting / Downlighting
	Uplighting / Downlighting
	Pressed metal construction
	Extruded aluminium construction
	Spun construction
	Die cast construction
	Injection moulding
	Minimum distance from lamp
	Decorative glass feature
	Safety glass
	Foot switch
	Supplied complete with plug
	Maximum weight kg
	Operating temperature of fascia
	Tamper proof screws
	Maximum evenly distributed load kg