

## IMPORTANT INFORMATION

### **Geneva 421/428**

WL421, WL428



### **Geneva 422/460**

WL422, WL460



**To be installed by qualified personnel only**

# Hacel

L I G H T I N G

THE SILVERLINK  
WALLSEND  
NEWCASTLE UPON TYNE  
TYNE & WEAR  
NE28 9ND  
UK

TECHNICAL: (0191) **280 9914**

FAX: (0191) **263 0946**

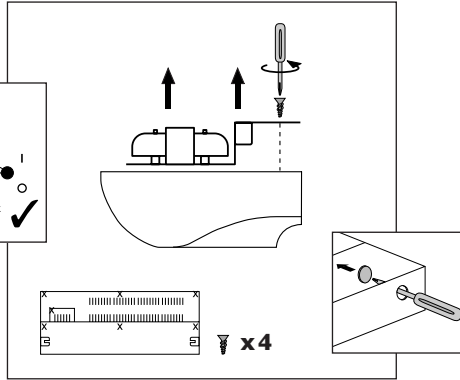
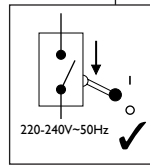
E-MAIL: [technical@hacel.co.uk](mailto:technical@hacel.co.uk)

WEB: [www.hacel.co.uk](http://www.hacel.co.uk)

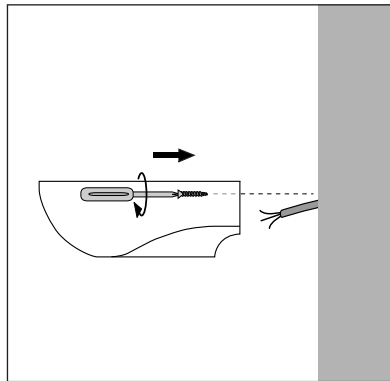
79\_0082

## Installation

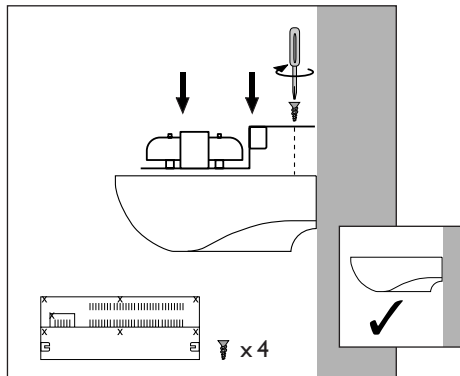
1



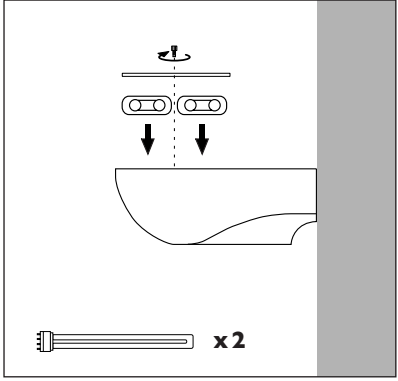
2



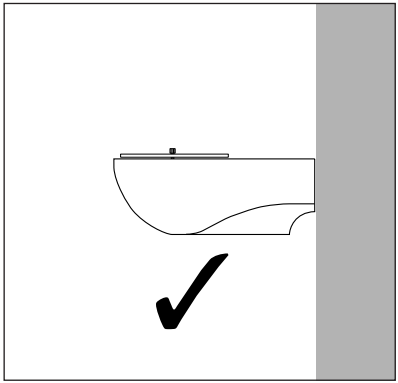
3



4

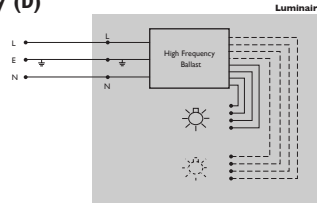


5

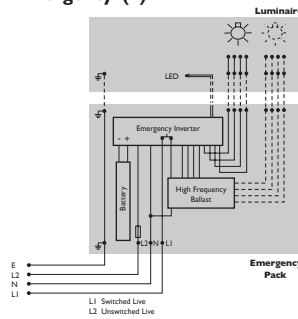


## Wiring diagrams

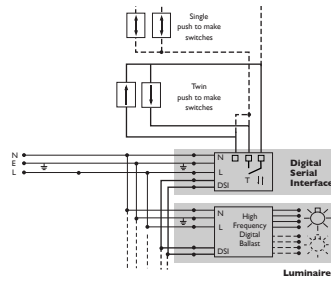
### High frequency (D)



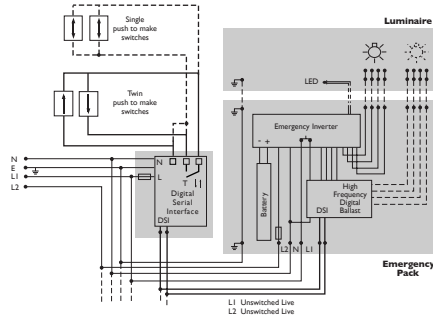
### High frequency + Emergency (E)



### High frequency digital dimming (F)

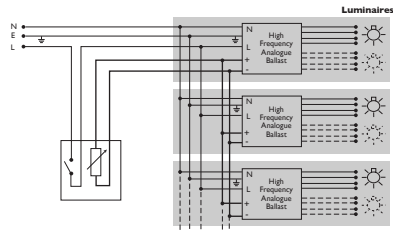


### High frequency digital dimming + Emergency (G)

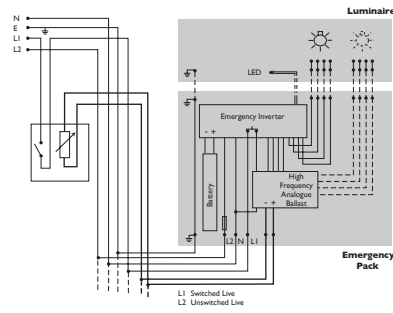


## Wiring diagrams

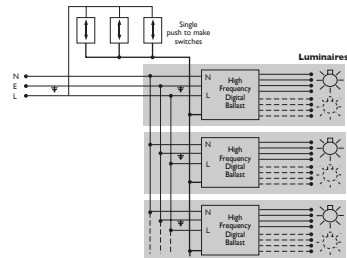
### High frequency analogue (1-10V) dimming (H)



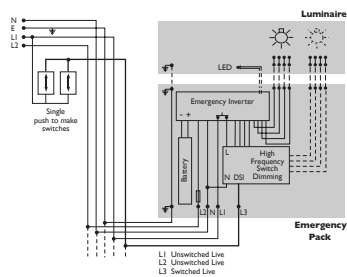
### High frequency analogue (1-10V) dimming + Emergency (I)



### High frequency switch dimming (J)

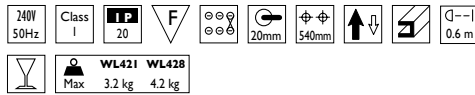
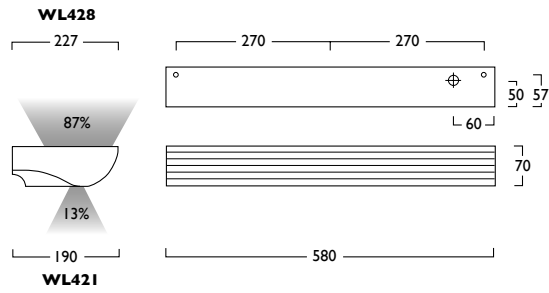


### High frequency switch dimming + Emergency (K)



## Technical information

### Geneva 421 & 428 Wall Lights



### Geneva 422 & 460 Wall Lights

