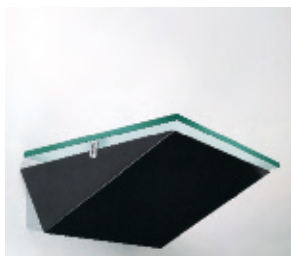
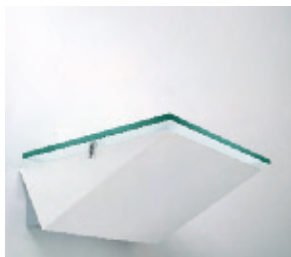
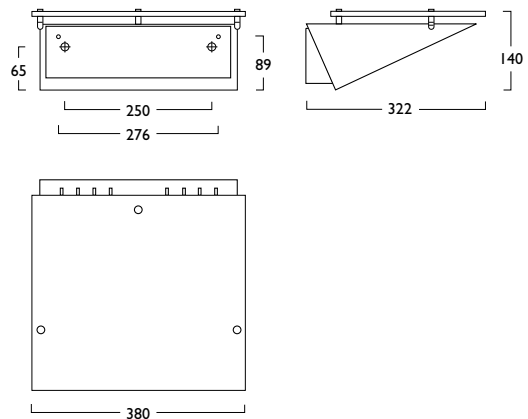
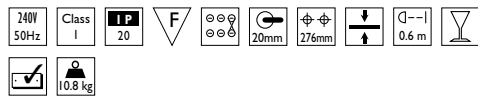




Jesmond

☀		☺	☀	☐	⚡	+	▲
Metal Halide							
70w	MHL	Rx7s	WL401	B	MHL070	-	+ 114
150w	MHL	Rx7s	WL401	B	MHL150	-	+ 114
250w	MHL	Fc2	WL401	B	MHL250	-	+ 116



☐ B Wire wound

1 - White 3 - Black 6 - Graphite
7 - White/Graphite 8 - Graphite/Black 9 - Black/Graphite

+ I38 Instant Light

Current and Power Ratings

MHL Lamp	Current (A)	Current (A)
70W	0.36	79.0
150W	0.75	160.0
250W	---	---

Recommended Lamps

Type	3000K		4200K	
	Osram	Philips	Osram	Philips
MHL070	PB70SW	197825	PB70SN	200020
MHL150	PB150SW	197849	PB15SN	200259
MHL250	H250SW	---	H25SND	734006

Product Codes Explained



Symbols

	12V
	Voltage & frequency
	Class I / II / III
	Ingress protection
	Suitable for flammable surface
	Plug & socket connections
	Unfused terminal block
	Fused terminal block
	Integral fuse
	Knockout size
	Tilt
	Rotation / pan
	Cut out
	Fixing centres
	Uplighting / Downlighting
	Uplighting / Downlighting
	Pressed metal construction
	Extruded aluminium construction
	Spun construction
	Die cast construction
	Injection moulding
	Minimum distance from lamp
	Decorative glass feature
	Safety glass
	Foot switch
	Supplied complete with plug
	Maximum weight kg
	Operating temperature of fascia
	Tamper proof screws
	Maximum evenly distributed load kg