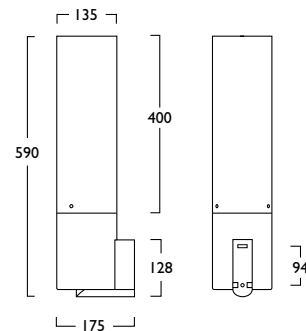
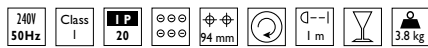




Vici

Power (w)	Lamp Type	Ballast	Code	Dimming	Emergency	Weight (kg)
32w	PLT	GX24q-3	WL812	PLT032	-	175
42w	PLT	GX24q-4	WL812	PLT042	-	175
57w	PLT	GX24q-5	WL812	PLT057	-	177
70w	PLT	GX24q-6	WL812	PLT070	-	177
60w	PLH	2G8-1	WL812	PLH060	D	177
85w	PLH	2G8-1	WL812	PLH085	D	177
120w	PLH	2G8-1	WL812	PLH120	D	178



□ ■ Gear types F & G must be operated through a Digital Serial Interface (p389)

- D** High frequency
- E** High frequency + Emergency (32/42w PLT)
- F** High frequency digital dimming (32/42/57w PLT)
- G** High frequency digital dimming + Emergency (32/42w PLT)
- H** High frequency analogue (1-10V) dimming (all PLT)
- I** High frequency analogue (1-10V) dimming + Emergency (32/42w PLT)
- J** High frequency switch dimming (32/42/57w PLT)
- K** High frequency switch dimming + Emergency (32/42w PLT)
- S** High frequency DALI dimming (32/42/57w PLT)
- T** High frequency DALI dimming + Emergency (32/42w PLT)

● 1 - White 3 - Black 6 - Graphite

■ 319 Opaque dust cap (Uplight only)

Current and Power Ratings

PLT Lamp	Current (A)	Power (W)
1x 32W	0.16	34.5
1x 42W	0.21	46.0
1x 57W	0.28	60.5
1x 70W	0.35	75.0

PLH Lamp	Current (A)	Power (W)
1x 60W	0.30	63.0
1x 85W	0.40	91.0
1x 120W	0.60	133.0

Recommended Lamps

Type	3000K		4000K	
	Osram	Philips	Osram	Philips
PLT032	DTE323	611284	DTE324	611314
PLT042	DTE423	611345	DTE424	611376
PLT057	GE 45204	611406	GE 45201	611451
PLT070	GE 45208		GE 45218	

Type	3000K		4000K	
	Osram	Philips	Osram	Philips
PLH060	---	264077	---	264091
PLH085	---	264114	---	264237
PLH120	---	264039	---	264053

Product Codes Explained



Symbols

	12V
	Voltage & frequency
	Class I / II / III
	Ingress protection
	Suitable for flammable surface
	Plug & socket connections
	Unfused terminal block
	Fused terminal block
	Integral fuse
	Knockout size
	Tilt
	Rotation / pan
	Cut out
	Fixing centres
	Uplighting / Downlighting
	Uplighting / Downlighting
	Pressed metal construction
	Extruded aluminium construction
	Spun construction
	Die cast construction
	Injection moulding
	Minimum distance from lamp
	Decorative glass feature
	Safety glass
	Foot switch
	Supplied complete with plug
	Maximum weight kg
	Operating temperature of fascia
	Tamper proof screws
	Maximum evenly distributed load kg